

Tel: 1 800 308 3627

SecuringHospitals.com presents...

SUICIDE RESISTANT PRODUCTS

...helping you keep your patients and facility safe

SecuringHospitals.com

PO BOX 276
Blaine WA 98231

Phone: 800.308.3627

Fax: 604.540.5263

E-mail: nickt@securingcosmos.com

Tel: 1 800 308 3627

SafeSupport Grab Bar

Risk:

- Standard grab bars create a potential threat to patient safety. Many facilities are facing a similar problem with grab bars and patients attempting suicide by hanging.

Features:

- Suicide Resistant Design to minimize Leverage and Looping.
- Bacterial Growth minimized through Natural Drainage.
- Stainless steel construction suitable for wet applications

Specifications:

- Model: Suicide Resistant Grab Bar, Model #10-100-20-W36
- Material: to ASTM A167, 304 Stainless Steel, #4 Satin Finish
- 10GA mounting flange, 18GA tubing (1-1/2" dia.), 18GA angled end cap (laser cut and formed)
- End caps TIG welded continuously around tubing on both ends
- Bottom plate TIG welded continuously to mounting flange on bottom and outside
- 1/2" dia. mounting holes typical for use with 3/8" BH Torx Security Fasteners.
- Install as per manufacturer's instructions, backing in walls by others.



COMPLETE INFO BELOW FOR A QUICK QUOTE AND FAX TO 604.540.5263

SecuringHospitals.com

PO BOX 276

Blaine WA 98231

Phone: 800.308.3627

Fax: 604.540.5263

E-mail: nickt@securingcosmos.com

 Name/Position

 Facility/Address

 Phone/Fax

 Email

Size Requesting

42", 60-100-50-W42

36", 60-100-50-W36

30", 60-100-50-W30

24", 60-100-50-W24

Custom Size:

Qty _____

Qty _____

Qty _____

Qty _____

Qty _____

Drainage Handling

RH / LH

RH / LH

RH / LH

RH / LH

RH / LH

Tel: 1 800 308 3627

Breakaway Shower Curtains/Drapes

Risk:

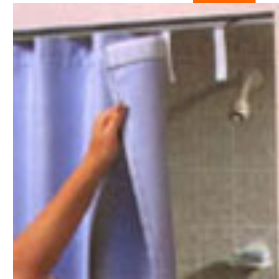
- Mounting bars for drapes and curtains pose a potential risk for hanging.

Features:

- IFC-79 Break-A-Way Track and lined box pleat window drapery. This system provides an attractive window covering while being a "safe" drapery, since no continuous cords or tapes are required. The lack of drapery pins or hooks, allows for machine laundering and easy hanging of drapery.
- A vast array of solids, stripes, textures and patterns is available. All are made from 100% Trevira Polyester which is permanently flame resistant and machine washable up to 160°F. The optional liners is also 100% Trevira polyester.

Specifications:

- "Break-A-Way" Window Draperies are made specifically for use with the IFC-79 Track. 4" Box pleats are double lock stitched, bottom hem is a full 3", and sides are a full 1" wide. The continuous 1 1/2" wide loop tape is double lock stitched to the 1 1/2" top hem. Draperies are machine washable, with no hooks to be removed and replaced. Draperies are available with a 100% Trevira Polyester flame resistant liner.
- "Safety Tabs" are 4" long and 3/4" wide. Three Safety Tabs per foot are provided with the tracks. Safety Tabs are easily inserted or removed through the jiffy aperture which is milled into the track. Tracks are also available without the aperture for security areas.



COMPLETE INFO BELOW FOR A QUICK QUOTE AND FAX TO 604.540.5263

SecuringHospitals.com

PO BOX 276
 Blaine WA 98231

Phone: 800.308.3627

Fax: 604.540.5263

E-mail: nickt@securingcosmos.com

 Name/Position

 Facility/Address

 Phone/Fax

 Email

Mounting

- Wall Mounted Ceiling Mounted

Sizing (select either actual curtain size or opening size)

- Curtain Size: _____" L x _____" W
- Opening Size: _____" L x _____" W

Qty Required: _____

Type

- Shower Curtain Bedroom Drape

Tel: 1 800 308 3627

Collapsible Clothes Hooks

Risk:

- Hanging items around regular style clothes hooks can be done very easily creating a potential threat to patients wanting to commit suicide.

Features:

- Clothes hanger will collapse under pressure letting anything being tied to it slip off
- Both style clothes hooks can be adjusted to meet garment weight
- Stainless steel construction suitable for wet applications

Specifications:

Model: 45-125TH

- Material: 304 stainless steel, 14Gu housing
- Style: front mounted, collapsible ball-joint
- Size: 4" x 4" x 2 1/4" projection
- Finish: US32D

Model: 45-125CH

- Material: 304 Stainless Steel
- Style: Both bolt-on or weld-on
- Size: 1" x 4-5/16" x 3" Projection
- Finish: USD32D



COMPLETE INFO BELOW FOR A QUICK QUOTE AND FAX TO 604.540.5263

SecuringHospitals.com

PO BOX 276

Blaine WA 98231

Phone: 800.308.3627

Fax: 604.540.5263

E-mail: nickt@securingcosmos.com

 Name/Position

 Facility/Address

 Phone/Fax

 Email

Model Requesting

45-125TH Qty _____

45-125CH Qty _____

Mounting

bolt-on

bolt-on /
 weld-on

Tel: 1 800 308 3627

S-VENT

Risk:

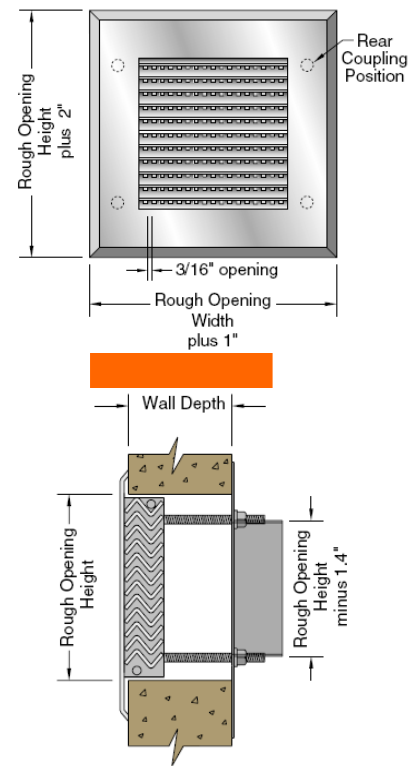
- Standard air vents have face plates which easily allow items to be looped through for suicide by hanging and contraband to be hidden inside the vent opening.

Features:

- Stainless Steel design prevents rusting or paint peeling
- Patented “S” style eliminate looping of materials around / or through vents.
- For use in all areas of close confinement such as prisons, jail cells, intake centers, juvenile detention and psychiatric facilities

Specifications:

- 14 gauge stainless steel with beveled edges
- 3/16” x 3/16” horizontal louvers and vertical mullions of 14 gauge stainless steel
- Rigid nick with 1-7/16” exposed face depth made of multiple piece 14 gauge construction
- Stainless Steel 2B mill finish
- Installation include coupling nut with threaded rods attached to rear of face flange and duct connector



COMPLETE INFO BELOW FOR A QUICK QUOTE AND FAX TO 604.540.5263

SecuringHospitals.com

PO BOX 276

Blaine WA 98231

Phone: 800.308.3627

Fax: 604.540.5263

E-mail: nickt@securingcosmos.com

 Name/Position

 Facility/Address

 Phone/Fax

 Email

Vent Size/Type

Front Mounted

Rear Mounted

Qty _____ Opening Dimensions _____

Qty _____ Opening Dimensions _____

Tel: 1 800 308 3627

PLUMBING FIXTURES AND PARTS

Risk:

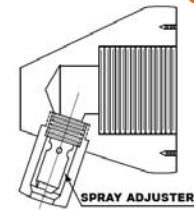
- The shower room / stall is an ideal place due to its isolation for patients to harm themselves

Features:

- Specially designed shower heads do not allow anything to be tied or hung around them.
- We can retro-fit our suicide resistant shower handle to fit over your valve stem without having to replace your current valve.
- Our Suicide resistant shower fixtures come ADA approved and complete with push button valves and suicide resistant shower heads.

Specifications:

- Vandal resistant shower head. The nozzle is threaded into the body and then locked in place by a set screw. The spray pattern can only be changed by use of an allen wrench inserted through the nozzle. Shower head is chrome plated brass.
- The suicide resistant valve is anti-scald with adjustable temperature limit stop, meets ASSE 1016 and ANSI A112.18.1M. Dimensions: Knob protrudes 2-3/4" with 4" diameter. Material: All-brass body with Noryl bonnet, stainless steel plate
- The different styles of shower fixtures will meet all your requirements for an ADA suicide resistant shower fixture. Fabricated from 14 gauge type 304 stainless steel with satin finish.



COMPLETE INFO BELOW FOR A QUICK QUOTE AND FAX TO 604.540.5263

SecuringHospitals.com

PO BOX 276
 Blaine WA 98231

Phone: 800.308.3627

Fax: 604.540.5263

E-mail: nickt@securingcosmos.com

 Name/Position

 Facility/Address

 Phone/Fax

 Email

Options

Shower Fixture: Call for Info Qty _____

Shower Handle: Valve Model# _____ Qty _____

Shower Head: Mounting: Rear / Front Qty _____

Angle degree required :

60 40

Tel: 1 800 308 3627

Recessed Soap Dish

Risk:

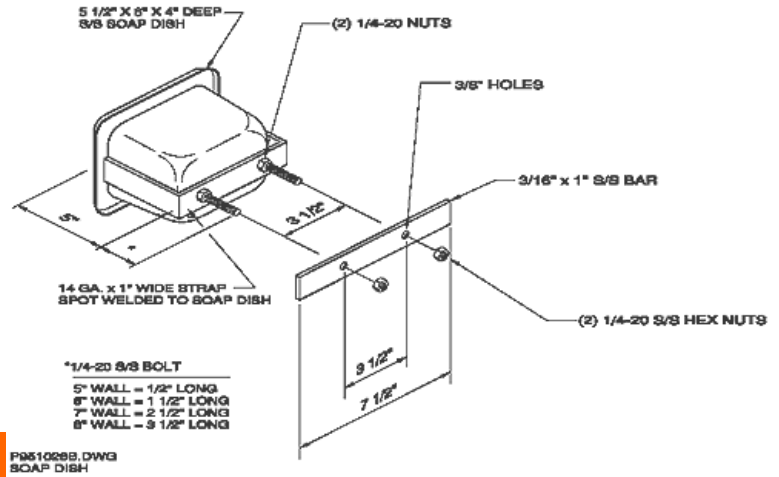
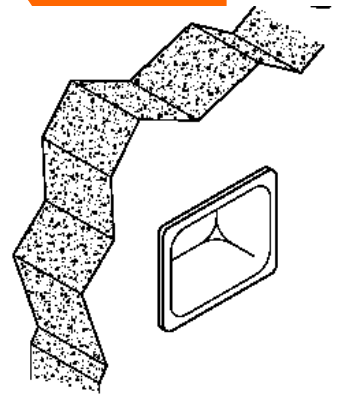
- Surface mounted soap dishes create a looping risk for suicide.

Features:

- Recessed Design to minimize Leverage and Looping.
- Stainless steel construction suitable for wet applications

Specifications:

- Die formed 16GA type 304 Stainless Steel
- Flange end turned back to provide tight fit to wall
- Tamperproof—all exposed surface polished to #4 satin finish



COMPLETE INFO BELOW FOR A QUICK QUOTE AND FAX TO 604.540.5263

SecuringHospitals.com

PO BOX 276
 Blaine WA 98231

Phone: 800.308.3627

Fax: 604.540.5263

E-mail: nickt@securingcosmos.com

 Name/Position

 Facility/Address

 Phone/Fax

 Email

Model Requesting

RSD-1

Qty _____

Tel: 1 800 308 3627

Recessed (Flush) Pull

Risk:

- Raised Pulls can be looped through causing a suicide risk

Features:

- Recessed Design to minimize Leverage and Looping.
- Stainless steel construction suitable for wet applications

Specifications:

- Investment Cast Stainless Steel (US32D Finish)
- 4" x 5" x 1" Deep
- Mounting Screws Provided (Security Flat Head Torx, 1/4-20 x 1/2")



COMPLETE INFO BELOW FOR A QUICK QUOTE AND FAX TO 604.540.5263

SecuringHospitals.com

PO BOX 276

Blaine WA 98231

Phone: 800.308.3627

Fax: 604.540.5263

E-mail: nickt@securingcosmos.com

Name/Position

Facility/Address

Phone/Fax

Email

Model Requesting

45-115-03-RFP

Qty _____

Tel: 1 800 308 3627

Recessed Tissue Holder

Risk:

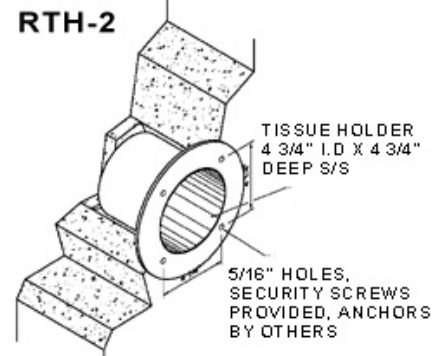
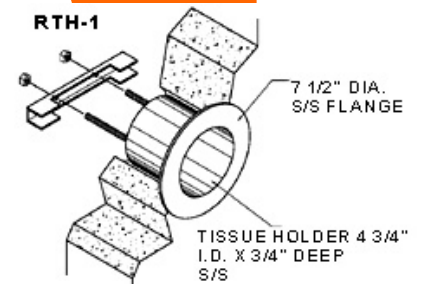
- Surface mounted tissue holders create a looping risk for suicide.

Features:

- Suicide Resistant Design to minimize Leverage and Looping.
- Stainless steel construction suitable for wet applications

Specifications:

- Die formed 16GA type 304 Stainless Steel , #4 satin finish on exposed flange
- Flange end turned back to provide tight fit to wall
- Accommodates standard tissue roll (Diameter: 4-1/2", Depth: 4-1/2")
- Mounting hardware supplied for either rear mount application (RTH-1) or front mount application (RTH-2)



COMPLETE INFO BELOW FOR A QUICK QUOTE AND FAX TO 604.540.5263

SecuringHospitals.com

PO BOX 276

Blaine WA 98231

Phone: 800.308.3627

Fax: 604.540.5263

E-mail: nickt@securingcosmos.com

Name/Position

Facility/Address

Phone/Fax

Email

Model Requesting

RTH-1 Qty _____

RTH-2 Qty _____

Tel: 1 800 308 3627

Safety Suicide Smock

Risk:

- Conventional patient dress can be used as a rope for hanging.

Features:

- Exceptionally Strong
- Quilted bulk prevents being rolled into a successful cord
- No hard fasteners which can be swallowed or made into a weapon
- No loops, ties, ribbing or edging to be torn off into strips
- Nylon hook and loop fasteners cut into short strips to prevent being used as a rope
- Easy removal for medical emergency

Specifications:

- Outer two layers—Navy Blue 1000 denier nylon cordura, urethane backed
- Quilt filler—6 oz. polyester fiberfill
- Stitching— Heavy duty nylon upholstery threading—no fewer than ten stitches per inch



COMPLETE INFO BELOW FOR A QUICK QUOTE AND FAX TO 604.540.5263

SecuringHospitals.com

PO BOX 276

Blaine WA 98231

Phone: 800.308.3627

Fax: 604.540.5263

E-mail: nickt@securingcosmos.com

Name/Position

Facility/Address

Phone/Fax

Email

Model Requesting

35-125-10-SSS (one size fits all, adjustable) Qty _____

Tel: 1 800 308 3627

SECLUSION BED

Risk:

- Standard beds create multiple leverage points potentially creating high risk for suicide by hanging.

Features:

- The Seclusion Bed is designed to minimize any threats that may cause a patient to harm themselves.
- A bolt down option is available to restrict the bed from any unauthorized movement
- Restraint rings also come optional to be used with patient restrains to securely hold patients in place.

Specifications:

- Rotationally molded seamless polyvinyl-chloride with leather texture
- Bed shall be finished with two coats of protective sealer , 1. match color coat, and 2. clear sealer top coat offering added protection and ease of maintenance.
- Grade 7-200 mils thick
- Flame retardant, NFPA 701 Small Scale, pass; CA TB No. 117 635. Meets the California technical bulletin 133 flammability test requirement
- Chemical Resistance : Chlorine solution, acetone, blood, urine, feces, wine whiskey, beer, vinegar, and salt solution
- Our Standard warranty provides for repair or replacement due to defects in the material and workmanship for a period of five years.



COMPLETE INFO BELOW FOR A QUICK QUOTE AND FAX TO 604.540.5263

SecuringHospitals.com

PO BOX 276

Blaine WA 98231

Phone: 800.308.3627

Fax: 604.540.5263

E-mail: nickt@securingcosmos.com

 Name/Position

 Facility/Address

 Phone/Fax

 Email

Options Requesting

Seclusion Bed Qty _____

Seclusion Bed w/rings Qty _____